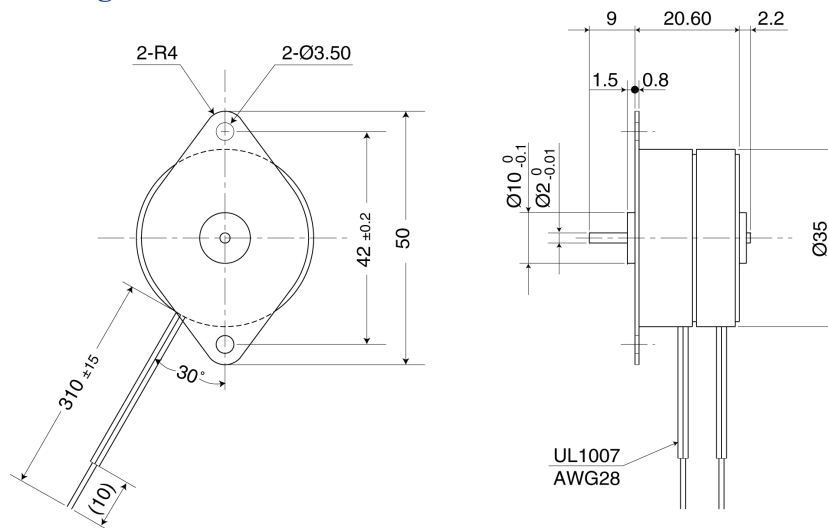


Parameters	Unit	PF35-24				PF35-48			
		Unipolar		Bipolar		Unipolar		Bipolar	
Drive mode		Unipolar		Bipolar		Unipolar		Bipolar	
Excitation Mode		Full-step (2-2 ex)				Full-step (2-2 ex)			
Step Angle	°	15				7.5			
Step Angle Tolerance	%	± 5				± 5			
Steps per Revolution		24				48			
Voltage	V	12	5	12	5	12	5	12	5
Winding Resistance	W/Ø	90	16	100	17	90	16	100	17
Winding Inductance	mH/Ø	48	8.9	95	14	48	8.9	124	19
Holding Torque	mNm	15	15	19	19	20	20	25	25
Rotor Inertia	gcm • s <sup>2</sup>	4.5 x 10 <sup>-3</sup>				4.5 x 10 <sup>-3</sup>			
Starting Pulse Rate, Max	pps	310				500			
Slewing Pulse Rate, Max	pps	410				530			
Ambient Temp. Range, Operating	°C	-10 ~ + 50				-10 ~ + 50			
Temperature rise	K	55				55			
Weight	g	80.0				80.0			

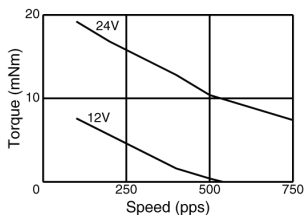
Note: Above data is based on Rated Voltage Drive. The magnet type is Anisotropic.

### Outline Dimension Drawing

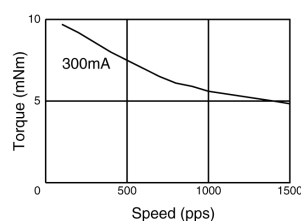


Dimensions in MM. Inches = MM\*0.04

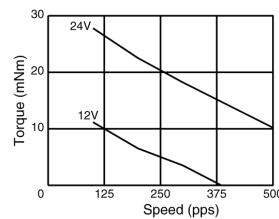
PF35-24C1 Unipolar Rated / Double Voltage Drive



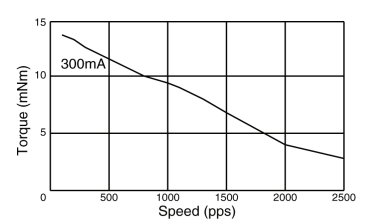
PF35-24D1 Unipolar Chopper Drive at 24V



PF35-24P1 Bipolar Rated/Double Voltage Drive



PF35-24Q1 Bipolar Chopper Drive at 24V



Torque Curve Note: 1 mN-m = 0.14 oz-in

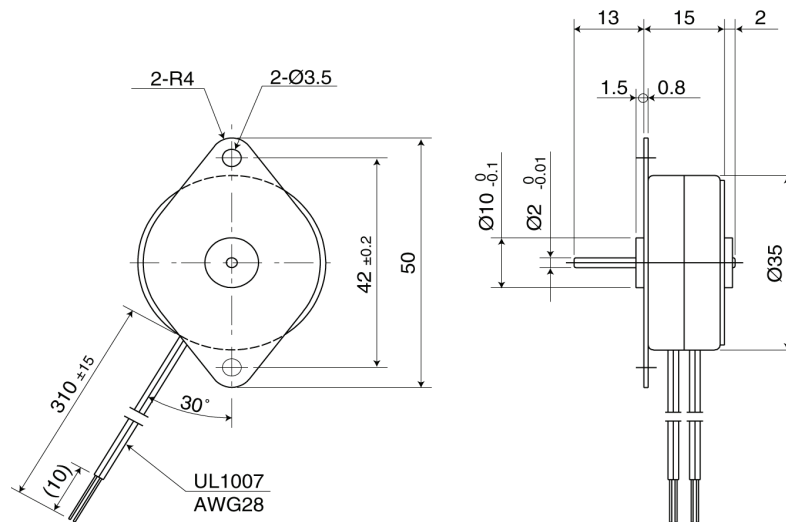
# MOTORS

## PF35T-48

Parameters	Unit	PF35T-48			
		Unipolar		Bipolar	
Drive mode		Unipolar		Bipolar	
Excitation Mode		Full-step (2-2 ex)			
Step Angle	°	7.5			
Step Angle Tolerance	%	± 5			
Steps per Revolution		48			
Voltage	V	12	5	12	5
Winding Resistance	W/Ø	70	12	72	16
Winding Inductance	mH/Ø	36	6.5	60	6.2
Holding Torque	mNm	20	20	27	27
Rotor Inertia	gcm•s <sup>2</sup>	2.7 x 10 <sup>-3</sup>			
Starting Pulse Rate, Max	pps	600			
Slewing Pulse Rate, Max	pps	610			
Ambient Temp. Range, Operating	°C	-10 ~ + 50			
Temperature rise	K	70			
Weight	g	77.0			

Note: Above data is based on Rated Voltage Drive. The magnet type is Anisotropic.

### Outline Dimension Drawing



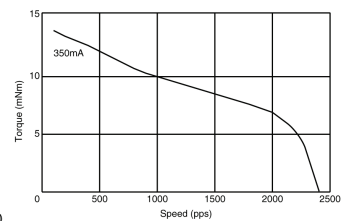
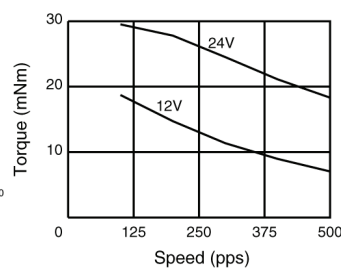
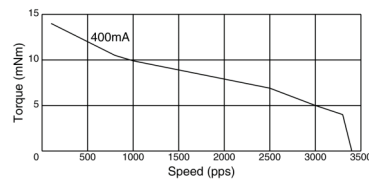
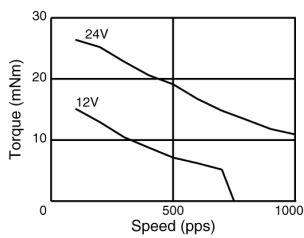
Dimensions in MM. Inches = MM\*0.04

PF35T-48C1 Unipolar Rated / Double Voltage Drive

PF35T-48D1 Unipolar Chopper Drive at 24V

PF35T-48R1 Bipolar Rated/Double Voltage Drive

PF35T-48Q1 Bipolar Chopper Drive at 24V



Torque Curve Note: 1 mN-m = 0.14 oz-in